

NOVATEC

2024 HUBS

WWW.NOVATECWHEELS.COM

2024

HUBS

EX TREME HIGH PERFORMANCE



INTRODUCTION



WE HAVE OVER 50 YEARS EXPERIENCE IN PRODUCING HUBS AND WHEELS. WE CHANGED OUR NAME TO JOY INDUSTRIAL CO., LTD. AND RELOCATED TO TAIWAN - FUNG YUNG IN 1981. THEN EVENTUALLY EXPANDING TO A LARGER FACTORY LOCATED IN TAIWAN-DA YA IN 1975. BEING A CUSTOMER-CENTRIC COMPANY, WE ESTABLISHED FOUR ADDITIONAL FACTORIES IN SHEN ZHEN, KUN SHAN, XIAMEN AND TAIZHOU DURING IN 1993, 1998, 2019 & 2020 RESPECTIVELY, TO IMPROVE THE CUSTOMER SERVICE SUPPORT. IN 2006, WE BEGAN PRODUCTION OF WHEEL SETS TO BROADEN OUR ALREADY VAST PRODUCT OFFERING.



NOVATEC IS A HIGH-END PRODUCT LINE MANUFACTURED BY JOY INDUSTRIAL CO., LTD. SINCE 1989, NOVATEC HAS DELIVERED EXCEPTIONAL PERFORMANCE PRODUCTS FOR BICYCLES. WE'RE TRUSTED BY TOP-TIER BRANDS WORLDWIDE. NOVATEC IS DEDICATED TO THE IMPROVEMENT, DESIGN, MANUFACTURING, AND SUPPORT OF OUR PRODUCTS IN THROUGHOUT PRODUCT SALES CHANNELS. FROM OEM TO AFTERMARKET, BRANDED TO PRIVATE-LABEL, STANDARD TO CUSTOM. WE STAND BEHIND IT ALL.

NOVATEC IS QUALITY, PERFORMANCE & RELIABILITY.





SYSTEM THE WHOLE NEW SYSTEM

- PRO⁺** PREMIUM LEVEL SEALED BEARINGS PRODUCTS
- PRO** HIGH LEVEL SEALED BEARINGS PRODUCTS
- TEAM** MID LEVEL SEALED BEARINGS PRODUCTS
- ELITE** ENTRY LEVEL SEALED BEARINGS PRODUCTS
- CLUB** ENTRY LEVEL LOOSE BALL PRODUCTS

- SP** STRAIGHT PULL HUBS
- SL** SUPER LIGHT J-BEND HUBS
- S** STANDARD J-BEND HUBS

	S	SL	SP
PRO ⁺			Red
PRO		Orange	Orange
TEAM	Yellow	Yellow	
ELITE	Light Green	Light Green	
CLUB	Green		

TABLE OF CONTENT

HUBS

ROAD	P05
GRAVEL/ROAD DISC	P08
MTB STANDARD QR	P11
E-MTB BOOST	P15
E-CARGO BOOST	P19
DOWNHILL SUPER BOOST	P21
FAT BIKE	P23
DIRT JUMP	P25
BMX	P27
TRACK BIKE	P29
CITY BIKE	P31
FOLDING BIKE	P35

PARTS

QUICK RELEASES	P37
CASSETTE BODY SYSTEM	P43
GLOBAL	P45
CREDIT	P47



TECH-NOLOGY



TSE

2 PAWLS WITH 15T LOOSE BALL CASSETTE BODY



TA-TSE

2 PAWLS WITH 15T LOOSE BALL THROUGH AXLE CASSETTE BODY



TSBT

2 PAWLS WITH 15T SEALED BEARING CASSETTE BODY



TA-TSB

2 PAWLS WITH 15T SEALED BEARING THROUGH AXLE CASSETTE BODY



F2-333

3 PAWLS WITH 33T 2 SEALED BEARINGS CASSETTE BODY



A327

3 PAWLS WITH 27T 2 SEALED BEARINGS ID12 CASSETTE BODY



B427

4 PAWLS WITH 27T 2 SEALED BEARINGS ID15 CASSETTE BODY



B2-427

4 PAWLS WITH 27T 2 SEALED BEARINGS OD15 LIGHT WEIGHT CASSETTE BODY



E440

4 PAWLS WITH 40T 2 SEALED BEARINGS OD17 CASSETTE BODY



R642

6 PAWLS WITH 42T 2 SEALED BEARINGS OD17 CASSETTE BODY



SEALED BEARING

TOP QUALITY JAPANESE BEARING, ENSURING THE NOVATEC WHEELS ROLL FAST & FRICTION-FREE



UPGRADED

PRODUCT WAS UPGRADED FROM PREVIOUS VERSION



REPLACEABLE BEARING

DOUBLE & QUAD BEARING CONFIGURATION ARE REPLACEABLE SHOULD THEY WEAR OUT - NOT THAT WE EXPECT THAT TO HAPPEN



A.B.G

ANTI BITE GUARD IS A REINFORCED STEEL RIB INTEGRATED INTO AN ALLOY CASSETTE BODY SPLINES TO MITIGATED DAMAGE



LRD

FOR BMX SPECIALLY DESIGNED RATCHET RING ALLOWS INTERCHANGE BETWEEN RIGHT AND LEFT SIDE DRIVE



2 IN 1

ALLOWS FOR EASIER INTERCHANGE BETWEEN CASSETTE AND DRIVE UNIT



3 IN 1

ALLOWING CONVERSION BETWEEN STANDARD QR, 12, 15



4 IN 1

ALLOWING CONVERSION BETWEEN STANDARD QR, 9, 15/20 FRONT AXLES QR, 10, 12 & X12 REAR AXLES



SHIMANO MICRO SPLINE 12S

SHIMANO MICRO SPLINE 12S FREEHUB BODY COMPATIBLE



CAMPAGNOLO EKAR-13S

CAMPAGNOLO EKAR 13S FREEHUB BODY COMPATIBLE

NEW



DRS

DUAL RATCHET SYSTEM

ROAD

HUBS



SP-PRO⁺

AS61CB

CARBON STRAIGHT PULL HUB

WEIGHT	72G
SEALED BEARING	2
SPOKE HOLES	20
GAUGE	14
O.L.D	100
AXLE	9
AXLE MATERIAL	ALLOY
P.C.D	31.5
F.T.F	80.4



SP-PRO⁺

FS62CB-11S

CARBON STRAIGHT PULL HUB

WEIGHT	215G
SEALED BEARING	4
SPOKE HOLES	24
GAUGE	14
O.L.D	130
AXLE	10
AXLE MATERIAL	ALLOY
P.C.D	34/47
F.T.F	67.8
OFFSET	12.7
PAWLS	4



AVAILABLE IN SRAM XDR & CAMPY 12S



SP-PRO AS511SB

ALLOY STRAIGHT PULL HUB	
WEIGHT	77G
SEALED BEARING	2
SPOKE HOLES	20
GAUGE	14
O.L.D	100
AXLE	9
AXLE MATERIAL	ALLOY
P.C.D	31.5
F.T.F	80.4



SL-PRO A291SB-SL

ALLOY J-HOOK HUB	
WEIGHT	60G
SEALED BEARING	2
SPOKE HOLES	20 24 28 32
GAUGE	14/15
O.L.D	100
AXLE	9
AXLE MATERIAL	ALLOY
P.C.D	30
F.T.F	68.7



S-TEAM A171SB

ALLOY J-HOOK HUB	
WEIGHT	113G
SEALED BEARING	2
SPOKE HOLES	20 24 28 32
GAUGE	14 15
O.L.D	100
AXLE	9
AXLE MATERIAL	ALLOY
P.C.D	38
F.T.F	65.6



SP-PRO FS522SB-11S

ALLOY STRAIGHT PULL HUB	
WEIGHT	220G
SEALED BEARING	4
SPOKE HOLES	24
GAUGE	14
O.L.D	130
AXLE	10
AXLE MATERIAL	ALLOY
P.C.D	34/47
F.T.F	67.8
OFFSET	12.7
PAWLS	4



AVAILABLE IN SRAM XDR & CAMPY 12S



SL-PRO F482SB-SL-11S

ALLOY J-HOOK HUB	
WEIGHT	228G
SEALED BEARING	4
SPOKE HOLES	20 24 28 32
GAUGE	14
O.L.D	130
AXLE	10
AXLE MATERIAL	ALLOY
P.C.D	41/49
F.T.F	56.6
OFFSET	10.2
PAWLS	4



AVAILABLE IN SHIMANO HG / SRAM XDR



S-TEAM F172SB-11S

ALLOY J-HOOK HUB	
WEIGHT	272G
SEALED BEARING	4
SPOKE HOLES	20 24 28 32 36
GAUGE	14
O.L.D	130/135
AXLE	10
AXLE MATERIAL	ALLOY
P.C.D	49
F.T.F	50.6
OFFSET	130:9.85 135:7.65
PAWLS	3



AVAILABLE IN SHIMANO HG / SRAM XDR



S-ELITE A361SBT

ALLOY J-HOOK HUB

WEIGHT	163G
SEALED BEARING	2
SPOKE HOLES	20 24 28 32 36
GAUGE	14
O.L.D	100
AXLE	9
AXLE MATERIAL	CRMO
P.C.D	38
F.T.F	72



S-CLUB A171DSE

ALLOY J-HOOK HUB

WEIGHT	150G
SPOKE HOLES	20 24 28 32 36
GAUGE	14
O.L.D	100
AXLE	9
AXLE MATERIAL	CRMO
P.C.D	38
F.T.F	65.6



S-CLUB A173DSE

ALLOY J-HOOK HUB

WEIGHT	194G
SPOKE HOLES	20 24 28 32
GAUGE	14
O.L.D	100
AXLE	3/8X140 145
AXLE MATERIAL	CRMO
P.C.D	38
F.T.F	72



S-ELITE F362TSBT-11S

ALLOY J-HOOK HUB

WEIGHT	400G
SEALED BEARING	2
SPOKE HOLES	20 24 28 32 36
GAUGE	14
O.L.D	130.5 135
AXLE	10
AXLE MATERIAL	CRMO
P.C.D	45
F.T.F	49.6
OFFSET	6.3/4.3
PAWLS	2



S-CLUB F362TSE-11S

ALLOY J-HOOK HUB

WEIGHT	408G
SPOKE HOLES	24 28 32 36
GAUGE	14
O.L.D	130 135
AXLE	10
AXLE MATERIAL	CRMO
P.C.D	45
F.T.F	51.4
OFFSET	130:9.74 135:4.6
PAWLS	2



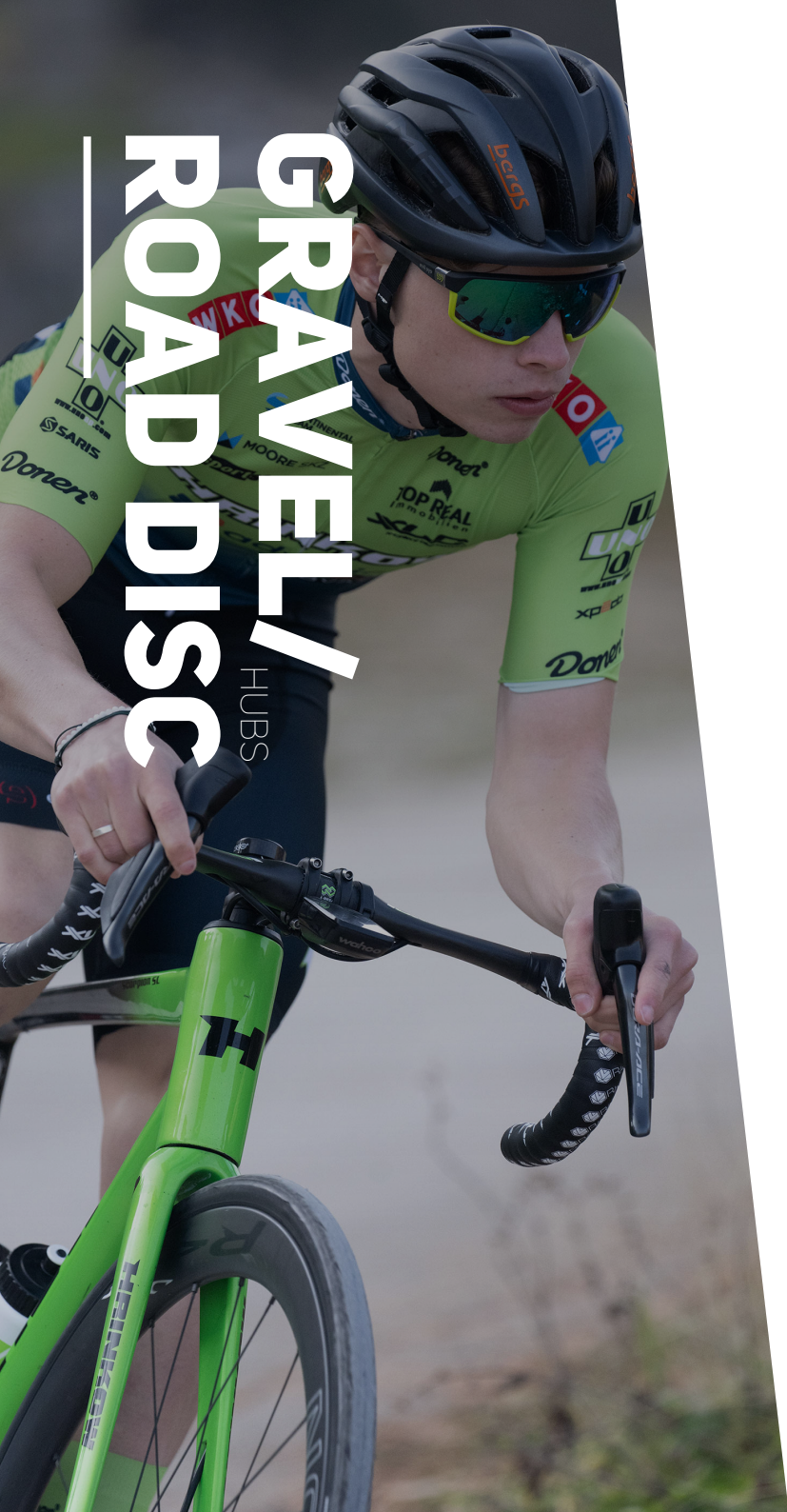
S-CLUB F364TSE

ALLOY J-HOOK HUB

WEIGHT	447G
SPOKE HOLES	24 28 32 36
GAUGE	14
O.L.D	130、135
AXLE	10X175、180、185
AXLE MATERIAL	CRMO
P.C.D	45
F.T.F	50.4
OFFSET	4.29
PAWLS	2



GRAVEL / ROAD DISC HUBS



SP-PRO+ D411CB-CL-B12

CARBON STRAIGHT PULL DISC HUB	
WEIGHT	87G
SEALED BEARING	2
SPOKE HOLES	24
GAUGE	14
O.L.D	110
AXLE	12
AXLE MATERIAL	ALLOY
P.C.D	37
F.T.F	51.3
OFFSET	2.8



SL-TEAM D791SB-B12

ALLOY J-HOOK HUB	
WEIGHT	211G
SEALED BEARING	2
SPOKE HOLES	24 28 32 36
GAUGE	14
O.L.D	110
AXLE	12
AXLE MATERIAL	ALLOY
P.C.D	58/45
F.T.F	72
OFFSET	7.2
CENTER LOCK: D791SB-CL-B12	



SP-PRO+ D412CB-CL-B12-11S

CARBON STRAIGHT PULL DISC HUB	
WEIGHT	233G
SEALED BEARING	4
SPOKE HOLES	24
GAUGE	14
O.L.D	148
AXLE	12
AXLE MATERIAL	ALLOY
P.C.D	34/47
F.T.F	65.2
OFFSET	6.45
PAWLS	4
XDR AND CAMPY 12S FREEHUB BODY COMPATIBLE	



SL-TEAM D792SB-B12-S4S-11S

ALLOY J-HOOK HUB	
WEIGHT	407G
SEALED BEARING	4
SPOKE HOLES	28 32 36
GAUGE	14
O.L.D	148
AXLE	12
AXLE MATERIAL	CRMO
P.C.D	58/49
F.T.F	63.1
OFFSET	7.8
PAWLS	4
CENTER LOCK: D792SB-CL-B12-S4S-11S XDR AND CAMPY 12S FREEHUB BODY COMPATIBLE	





SP-PRO⁺ D411CB-CL-12

CARBON STRAIGHT PU LL DISC HUB

WEIGHT	83G
SEALED BEARING	2
SPOKE HOLES	24
GAUGE	14
O.L.D	100
AXLE	12
AXLE MATERIAL	ALLOY
P.C.D	34
F.T.F	63.5
OFFSET	3.23



SP-PRO D411SB-12

ALLOY STRAIGHT PULL DISC HUB

WEIGHT	85G
SEALED BEARING	2
SPOKE HOLES	24
GAUGE	14
O.L.D	100
AXLE	12
AXLE MATERIAL	ALLOY
P.C.D	34
F.T.F	63.5
CENTER LOCK: D411SB-CL-12	



SL-TEAM D791SB-12

ALLOY J-HOOK DISC HUB

WEIGHT	170G
SEALED BEARING	2
SPOKE HOLES	20 24 28
GAUGE	14
O.L.D	100
AXLE	12
AXLE MATERIAL	ALLOY
P.C.D	58/45
F.T.F	62
OFFSET	7.7
CENTER LOCK: D791SB-CL-12	



SP-PRO⁺ D412CB-CL-X12-11S

CARBON STRAIGHT PU LL DISC HUB

WEIGHT	230G
SEALED BEARING	4
SPOKE HOLES	24
GAUGE	14
O.L.D	142
AXLE	12
AXLE MATERIAL	ALLOY
P.C.D	34/46.5
F.T.F	59.8
OFFSET	6.65
PAWLS	4
AVAILABLE IN SHIMANO HG / SRAM XDR / CAMPAGNOLO EKAR 13S	



SP-PRO D412SB-X12-11S

ALLOY STRAIGHT PULL DISC HUB

WEIGHT	238G
SEALED BEARING	4
SPOKE HOLES	24
GAUGE	14
O.L.D	142
AXLE	12
AXLE MATERIAL	ALLOY
P.C.D	34/46.5
F.T.F	59.8
OFFSET	6.65
PAWLS	4
AVAILABLE IN SHIMANO HG / SRAM XDR / CAMPAGNOLO 12S	



SL-TEAM D792SB-X12-A4A-11S

ALLOY J-HOOK DISC HUB

WEIGHT	290G
SEALED BEARING	4
SPOKE HOLES	24 28 32
GAUGE	14
O.L.D	142
AXLE	12
AXLE MATERIAL	ALLOY
P.C.D	58/49
F.T.F	56.4
OFFSET	7.4
PAWLS	4
CENTER LOCK: D792SB-CL-X12-11S	
AVAILABLE IN SHIMANO HG / SRAM XDR / CAMPAGNOLO EKAR 13S	





S-ELITE

D981SB-12

ALLOY J-HOOK DISC HUB	
WEIGHT	205G
SEALED BEARING	2
SPOKE HOLES	24 28
GAUGE	14
O.L.D	100
AXLE	12
AXLE MATERIAL	ALLOY
P.C.D	58/45
F.T.F	55
OFFSET	7.7
CENTER LOCK : D981SB-CL-12	



S-CLUB

D981-12

ALLOY J-HOOK DISC HUB	
WEIGHT	218G
SPOKE HOLES	24 28
GAUGE	14
O.L.D	100
AXLE	12
AXLE MATERIAL	CRMO
P.C.D	58/45
F.T.F	55
OFFSET	7.7



S-ELITE

D982TSB-X12-11S

ALLOY J-HOOK DISC HUB	
WEIGHT	385G
SPOKE HOLES	28 32
GAUGE	14
O.L.D	142
AXLE	12
AXLE MATERIAL	CRMO
P.C.D	58/49
F.T.F	57
OFFSET	7.2
PAWLS	2
CENTER LOCK: D982TSB-CL-X12-11S	



S-CLUB

D982TSE-X12-11S

ALLOY J-HOOK DISC HUB	
WEIGHT	411G
SPOKE HOLES	28 32 36
GAUGE	14
O.L.D	142
AXLE	12
AXLE MATERIAL	CRMO
P.C.D	58/49
F.T.F	50
OFFSET	7.2
PAWLS	2
CENTER LOCK: D982TSE-CL-X12-11S	



ALLOY J-HOOK DISC HUBS

MTB STANDARD QR

HUBS



SL-TEAM D791SB-QR

ALLOY J-HOOK HUB	
WEIGHT	197G
SEALED BEARING	2
SPOKE HOLES	20 24 28 32 36
GAUGE	14
O.L.D	100
AXLE	9
AXLE MATERIAL	ALLOY
P.C.D	58/45
F.T.F	62
OFFSET	7.7
CENTER LOCK: D791SB-CL-QR	



SL-TEAM D792SB-QR-S4S-11S

ALLOY J-HOOK HUB	
WEIGHT	487G
SEALED BEARING	4
SPOKE HOLES	24 28 32
GAUGE	14
O.L.D	135
AXLE	10
AXLE MATERIAL	CRMO
P.C.D	58
F.T.F	56.4
OFFSET	7.4
PAWLS	4
CENTER LOCK: D792SB-CL-QR-S4S-11S	
XD DRIVER COMPATIBLE	





S-TEAM D041SB

ALLOY J-HOOK DISC HUB	
WEIGHT	217G
SEALED BEARING	2
SPOKE HOLES	28 32 36 40
GAUGE	14
O.L.D	100
AXLE	9
AXLE MATERIAL	ALLOY
P.C.D	58
F.T.F	62
OFFSET	7.2



SL-ELITE D481SBT

ALLOY J-HOOK HUB	
WEIGHT	287G
SEALED BEARING	2
SPOKE HOLES	28 32 36
GAUGE	14
O.L.D	100
AXLE	9
AXLE MATERIAL	CRMO
P.C.D	58
F.T.F	62
OFFSET	7.2



S-ELITE D761SBT-U2.0

ALLOY J-HOOK DISC HUB	
WEIGHT	263G
SEALED BEARING	2
SPOKE HOLES	24 28 32 36
GAUGE	14,36H/13G
O.L.D	100
AXLE	9
AXLE MATERIAL	CRMO
P.C.D	58
F.T.F	62
OFFSET	7



S-TEAM D042SB-S3S-11S

ALLOY J-HOOK DISC HUB	
WEIGHT	489G
SEALED BEARING	2
SPOKE HOLES	32 36 40 48
GAUGE	14 13
O.L.D	135 145
AXLE	10
AXLE MATERIAL	CRMO
P.C.D	58
F.T.F	57.1
OFFSET	7.3
PAWLS	2



SL-ELITE D482TSBT-11S

ALLOY J-HOOK HUB	
WEIGHT	476G
SEALED BEARING	2
SPOKE HOLES	28 32 36
GAUGE	14
O.L.D	135
AXLE	10
AXLE MATERIAL	CRMO
P.C.D	58
F.T.F	62
OFFSET	7.2
PAWLS	2




S-ELITE D762TSBT-11S-U2.0

ALLOY J-HOOK DISC HUB	
WEIGHT	476G
SEALED BEARING	2
SPOKE HOLES	24 28 32 36
GAUGE	14,36H/13G
O.L.D	100
AXLE	10
AXLE MATERIAL	CRMO
P.C.D	58
F.T.F	57.1
OFFSET	7.7
PAWLS	2






S-ELITE D763SBT

ALLOY J-HOOK DISC HUB		
WEIGHT	328G	
SEALED BEARING	2	
SPOKE HOLES	28 32 36	
GAUGE	14,36H/13G	
O.L.D	100	
AXLE	3/8X140 145 150	
AXLE MATERIAL	CRMO	
P.C.D	58	
F.T.F	62	
OFFSET	7	



S-CLUB D761DSE

ALLOY J-HOOK HUB		 AVAILABLE
WEIGHT	240G	
SPOKE HOLES	24 28 32 36	
GAUGE	14	
O.L.D	100	
AXLE	9	
AXLE MATERIAL	CRMO	
P.C.D	58	
F.T.F	62	
OFFSET	7.3	
CENTER LOCK: D761DSE-CL		




S-CLUB D763DSE

ALLOY J-HOOK DISC HUB	
WEIGHT	304G
SPOKE HOLES	32 36
GAUGE	14,36H/13G
O.L.D	100
AXLE	3/8X138 140 145 150 170
AXLE MATERIAL	CRMO
P.C.D	58
F.T.F	62
OFFSET	7.3





S-ELITE D242SBT

ALLOY J-HOOK DISC HUB		
WEIGHT	321G	
SEALED BEARING	2	
SPOKE HOLES	32	
GAUGE	14	
O.L.D	135	
AXLE	10	
AXLE MATERIAL	CRMO	
P.C.D	58	
F.T.F	58	



S-CLUB D762TSE-11S

ALLOY J-HOOK HUB		  AVAILABLE
WEIGHT	460G	
SPOKE HOLES	24 28 32 36	
GAUGE	14	
O.L.D	135	
AXLE	10	
AXLE MATERIAL	CRMO	
P.C.D	58	
F.T.F	57.1	
OFFSET	7.3	
PAWLS	2	
CENTER LOCK: D762TSE-CL-11S		



S-CLUB D242DSE

ALLOY J-HOOK DISC HUB	
WEIGHT	330G
SPOKE HOLES	32 36
GAUGE	13/14
O.L.D	135
AXLE	10
AXLE MATERIAL	CRMO
P.C.D	58
F.T.F	58
OFFSET	7.5



S-CLUB D244DSE

ALLOY J-HOOK DISC HUB

WEIGHT	387G
SPOKE HOLES	32 36
GAUGE	14
O.L.D	135
AXLE	3/8X165 180 185
AXLE MATERIAL	M10X180
AXLE MATERIAL	CRMO
P.C.D	58
F.T.F	58
OFFSET	6.9



S-CLUB D764TSE

ALLOY J-HOOK DISC HUB

WEIGHT	495G
SPOKE HOLES	32 36
GAUGE	14
O.L.D	135
AXLE	M10X185
AXLE MATERIAL	CRMO
P.C.D	58
F.T.F	57.1
OFFSET	7.3
PAWLS	2



**CONQUER ANY TERRAIN WITH
OUR MTB BICYCLE HUBS!**

"THE ULTIMATE BLEND OF STRENGTH AND PRECISION."

E-MTB BOOST

HUBS



SP-PRO⁺ XDS641SB/A-B15

ALLOY STRAIGHT PULL DISC HUB	
WEIGHT	170G
SEALED BEARING	2
SPOKE HOLES	28
GAUGE	14
O.L.D	110
AXLE	15
AXLE MATERIAL	ALLOY
P.C.D	37
F.T.F	77.5
OFFSET	6.5
15X100 : XDS641SB/A-15	



SP-PRO⁺ XDS642SB-B12-A6A

ALLOY STRAIGHT PULL DISC HUB	
WEIGHT	318G
SEALED BEARING	4
SPOKE HOLES	28
GAUGE	14
O.L.D	148
AXLE	12
AXLE MATERIAL	ALLOY
P.C.D	45.5/60
F.T.F	68.3
OFFSET	7.9
PAWLS	6
X12 : XDS642SB/A-X12-A6ABG	
XD DRIVER COMPATIBLE	





SL-PRO XD641SB-B15

ALLOY J-HOOK DISC HUB	
WEIGHT	196G
SEALED BEARING	2
SPOKE HOLES	28 32
GAUGE	14
O.L.D	110
AXLE	15
AXLE MATERIAL	ALLOY
P.C.D	58
F.T.F	59.5
OFFSET	6.05
15X100:XD641SB-15	



SL-TEAM D791SB-B15

ALLOY J-HOOK DISC HUB	
WEIGHT	170G
SEALED BEARING	2
SPOKE HOLES	24 28 32 36
GAUGE	14
O.L.D	110
AXLE	15
AXLE MATERIAL	ALLOY
P.C.D	58/45
F.T.F	62
OFFSET	7.7
CENTER LOCK : D791SB-CL-B15	
15X100 : D791SB-15	



SL-ELITE D041SB-B15

ALLOY J-HOOK DISC HUB	
WEIGHT	193G
SEALED BEARING	2
SPOKE HOLES	28 32 36
GAUGE	13 14
O.L.D	110
AXLE	15
AXLE MATERIAL	ALLOY
P.C.D	58
F.T.F	72
OFFSET	7.2
CENTER LOCK : D041SB-CL-B15	



SL-PRO D902SB-B12-11S

ALLOY J-HOOK DISC HUB	
WEIGHT	370G
SEALED BEARING	4
SPOKE HOLES	28 32 36
GAUGE	13 14
O.L.D	148
AXLE	12
AXLE MATERIAL	EMTB CRMO / MTB ALLOY
P.C.D	62
F.T.F	62.4
OFFSET	7.6
PAWLS	4
XD DRIVER COMPATIBLE	
MICRO SPLINE COMPATIBLE	
CENTER LOCK: D902SB-CL-B12-11S	



SL-TEAM D462SB-CL-SL-S3S-B12-MS

ALLOY J-HOOK DISC HUB	
WEIGHT	445G
SEALED BEARING	5
SPOKE HOLES	28 32 36
GAUGE	13 14
O.L.D	148
AXLE	12
AXLE MATERIAL	CRMO
P.C.D	58/49
F.T.F	64.5
OFFSET	7.5
PAWLS	5
CENTER LOCK : D462SB-CL-B12-11S	
O.L.D 142mm : D462SB-SL-X12-S3S-11S	
AVAILABLE IN SHIMANO HG/SRAM XD	



S-ELITE D442SB-S4S-B12-MS

ALLOY J-HOOK DISC HUB	
WEIGHT	491G(MS)
SEALED BEARING	4
SPOKE HOLES	28 32 36
GAUGE	14
O.L.D	148
AXLE	12
AXLE MATERIAL	CRMO
P.C.D	58
F.T.F	62.9
OFFSET	7.5
PAWLS	4
O.L.D 142mm : D442SB-S4S-X12-MS	
SHIMANO HG COMPATIBLE	





S-ELITE

D761SBT-B5

ALLOY J-HOOK HUB	
WEIGHT	338G
SEALED BEARING	2
SPOKE HOLES	28 32 36
GAUGE	14
O.L.D	110
AXLE	9
AXLE MATERIAL	CRMO
P.C.D	58
F.T.F	72
OFFSET	7.2



S-CLUB

D041-B15

ALLOY J-HOOK DISC HUB	
WEIGHT	278G
SPOKE HOLES	24 28
	32/13G 36/131G
GAUGE	13 14
O.L.D	110
AXLE	15
AXLE MATERIAL	ALLOY
P.C.D	58
F.T.F	72
OFFSET	7.3
CENTER LOCK: D041-CL-B15	



AVAILABLE



S-ELITE

D762TSBT-B5-11S

ALLOY J-HOOK HUB	
WEIGHT	560G
SPOKE HOLES	28 32 36
GAUGE	14
O.L.D	141
AXLE	10
AXLE MATERIAL	CRMO
P.C.D	58
F.T.F	63.4
OFFSET	7.35
PAWLS	2



S-CLUB

D952TSE-B12-11S

ALLOY J-HOOK DISC HUB	
WEIGHT	407G
SPOKE HOLES	28 32 36
GAUGE	14
O.L.D	148
AXLE	12
AXLE MATERIAL	CRMO
P.C.D	58/49
F.T.F	56.4
OFFSET	7
PAWLS	2
CENTER LOCK: D952TSE-CL-B12-11S	
O.L.D 142mm : D952TSE-X12-11S	





S-CLUB D761DSE-B5

ALLOY J-HOOK HUB

WEIGHT	287G
SPOKE HOLES	28 32 36
GAUGE	14
O.L.D	110
AXLE	9
AXLE MATERIAL	CRMO
P.C.D	58
F.T.F	62
OFFSET	7.2



S-CLUB D762TSE-B5-11S

ALLOY J-HOOK HUB

WEIGHT	460G
SPOKE HOLES	32 36
GAUGE	14
O.L.D	141
AXLE	10
AXLE MATERIAL	CRMO
P.C.D	58
F.T.F	63.1
OFFSET	7.7
PAWLS	2



E-CARGO BOOST

HUBS

STREAMLINED EFFICIENCY:

E-CARGO HUBS FOR GLOBAL CONNECTIVITY.



SL-TEAM D791SB-B15

ALLOY J-HOOK DISC HUB	
WEIGHT	170G
SEALED BEARING	2
SPOKE HOLES	24 28 32 36
GAUGE	14
O.L.D	110
AXLE	15
AXLE MATERIAL	ALLOY
P.C.D	58/45
F.T.F	62
OFFSET	7.7



SL-ELITE D041SB-B15

ALLOY J-HOOK DISC HUB	
WEIGHT	193G
SEALED BEARING	2
SPOKE HOLES	28 32
GAUGE	13 14
O.L.D	110
AXLE	15
AXLE MATERIAL	ALLOY
P.C.D	58
F.T.F	72
OFFSET	7.2



SL-PRO D902SB-B12-11S

ALLOY J-HOOK DISC HUB	
WEIGHT	370G
SEALED BEARING	4
SPOKE HOLES	32 36
GAUGE	13 14
O.L.D	148
AXLE	12
AXLE MATERIAL	EMTB CRMO / MTB ALLOY
P.C.D	62
F.T.F	62.4
OFFSET	7.6
PAWLS	4
XD DRIVER COMPATIBLE	
MICRO SPLINE COMPATIBLE	



SL-TEAM D462SB-CL-SL-S3S-B12-MS

ALLOY J-HOOK DISC HUB	
WEIGHT	445G
SEALED BEARING	5
SPOKE HOLES	28 32 36
GAUGE	13 14
O.L.D	148
AXLE	12
AXLE MATERIAL	CRMO
P.C.D	58/49
F.T.F	64.5
OFFSET	7.5
PAWLS	5
AVAILABLE IN SHIMANO HG/SRAM XD	





HUBS

DOWNHILL SUPER BOOST



SL-PRO⁺ XD641SB-20

ALLOY J-HOOK DISC HUB
 WEIGHT 192G
 SEALED BEARING 2
 SPOKE HOLES 28 32
 GAUGE 14
 O.L.D 110
 AXLE 20
 AXLE MATERIAL ALLOY
 P.C.D 58
 F.T.F 69.5
 OFFSET 5.9



SL-PRO D951SB-SL-B20

ALLOY J-HOOK DISC HUB
 WEIGHT 220G
 SEALED BEARING 2
 SPOKE HOLES 28 32
 GAUGE 14
 O.L.D 110
 AXLE 20
 AXLE MATERIAL ALLOY
 P.C.D 58/49
 F.T.F 64.5
 OFFSET 7.2



S-TEAM DH61SB-HL

ALLOY J-HOOK DISC HUB
 WEIGHT 185G
 SEALED BEARING 2
 SPOKE HOLES 32 36
 GAUGE 13 14
 O.L.D 110
 AXLE 20
 AXLE MATERIAL ALLOY
 P.C.D 58/45
 F.T.F 60
 OFFSET 6



SL-PRO⁺ XDH42SB/A-A6ABG

ALLOY J-HOOK DISC HUB
 WEIGHT 352G
 SEALED BEARING 4
 SPOKE HOLES 32
 GAUGE 14
 O.L.D 150/157
 AXLE 12
 AXLE MATERIAL ALLOY
 P.C.D 62
 F.T.F 72.9
 OFFSET 6.8
 PAWLS 6
 XD DRIVER COMPATIBLE



SL-PRO DH92SB-A4A-MS

ALLOY J-HOOK DISC HUB
 WEIGHT 393G
 SEALED BEARING 5
 SPOKE HOLES 32
 GAUGE 14
 O.L.D 157
 AXLE 12
 AXLE MATERIAL ALLOY
 P.C.D 62
 F.T.F 71.4
 OFFSET 7.6
 PAWLS 4
 AVAILABLE IN SHIMANO HG/SRAM XD



FAT BIKE

HUBS



S-TEAM D201SB-15

ALLOY J-HOOK HUB	
WEIGHT	235G
SEALED BEARING	2
SPOKE HOLES	32 36
GAUGE	14
O.L.D	150
AXLE MATERIAL	ALLOY
P.C.D	58
F.T.F	97.5



S-TEAM D101SB-15

ALLOY J-HOOK HUB	
WEIGHT	196G
SEALED BEARING	2
SPOKE HOLES	32 36
GAUGE	14
O.L.D	135
AXLE MATERIAL	ALLOY
P.C.D	58
F.T.F	79



S-TEAM D922SB-S4S-11S

ALLOY J-HOOK HUB	
WEIGHT	678G
SEALED BEARING	5
SPOKE HOLES	32 36
GAUGE	14 12
O.L.D	197
AXLE	12
AXLE MATERIAL	CRMO
P.C.D	62
F.T.F	97.1
PAWLS	4
XD DRIVER COMPATIBLE	



S-TEAM D912SB-S4S-11S

ALLOY J-HOOK HUB	
WEIGHT	632G
SEALED BEARING	5
SPOKE HOLES	32
GAUGE	14
O.L.D	177
AXLE	12
AXLE MATERIAL	CRMO
P.C.D	62
F.T.F	77.1
PAWLS	4
XD DRIVER COMPATIBLE	





S-ELITE D403SBT

ALLOY J-HOOK DISC HUB	
WEIGHT	400G
SEALED BEARING	2
GAUGE	14,36H/13G
O.L.D	135
AXLE	3/8X185
AXLE MATERIAL	CRMO
P.C.D	58
F.T.F	92
OFFSET	5
SPOKE HOLES	32 36



S-CLUB D101DSE

ALLOY J-HOOK HUB	
WEIGHT	287G
SPOKE HOLES	32
GAUGE	13/14
O.L.D	135
AXLE	9
AXLE MATERIAL	CRMO
P.C.D	58
F.T.F	79



S-CLUB D103DSE

ALLOY J-HOOK HUB	
WEIGHT	348G
SPOKE HOLES	32 36
GAUGE	14
O.L.D	135
AXLE	3/8X175 180
AXLE MATERIAL	CRMO
P.C.D	58
F.T.F	79



S-CLUB D102TSE

ALLOY J-HOOK HUB	
WEIGHT	490G
SPOKE HOLES	32
GAUGE	14
O.L.D	190
AXLE	10
AXLE MATERIAL	CRMO
P.C.D	58
F.T.F	78
OFFSET	20
PAWLS	2



DIRT JUMP

HUBS



DIRT JUMP ///2024 HUBS



SL-PRO XD641SB-15

ALLOY J-HOOK DISC HUB	
WEIGHT	186G
SEALED BEARING	2
SPOKE HOLES	28 32
GAUGE	14
O.L.D	100
AXLE	15
AXLE MATERIAL	ALLOY
P.C.D	58
F.T.F	59.5
OFFSET	5.9



SL-PRO XD262SB-A6A

ALLOY J-HOOK DISC HUB	
WEIGHT	370G
SEALED BEARING	4
SPOKE HOLES	32
GAUGE	14
O.L.D	135/142
AXLE	10/12
AXLE MATERIAL	ALLOY
P.C.D	62
F.T.F	72.9
OFFSET	0.7
PAWLS	6
9T-DRIVER UNIT COMPATIBLE	





S-PRO D252SBT

ALLOY J-HOOK DISC HUB	
WEIGHT	480G
SEALED BEARING	4
SPOKE HOLES	32 36
GAUGE	14
O.L.D	135
AXLE	10
AXLE MATERIAL	CRMO
P.C.D	58/49
F.T.F	74.9
PAWLS	4



S-TEAM D256SBT

ALLOY J-HOOK DISC HUB	
WEIGHT	560G
SEALED BEARING	4
SPOKE HOLES	20 32 36
GAUGE	14
O.L.D	135
AXLE	M10X180 185 190
AXLE MATERIAL	CRMO
P.C.D	58
F.T.F	75.5
PAWLS	4



S-PRO D252SB-BO-AA

ALLOY J-HOOK DISC HUB	
WEIGHT	326G
SEALED BEARING	4
SPOKE HOLES	32
GAUGE	14
O.L.D	135
AXLE	10
AXLE MATERIAL	ALLOY
P.C.D	58/49
F.T.F	75.5
OFFSET	1.5
PAWLS	4



DIRT JUMP /// 2024 HUBS

HUBS BMX



S-TEAM F176SBT

ALLOY J-HOOK HUB	580G
WEIGHT	4
SEALED BEARING	20 28 32 36 48
SPOKE HOLES	14
GAUGE	110/120
O.L.D	3/8X160 165
AXLE	CRMO
AXLE MATERIAL	49
P.C.D	57
F.T.F	4
PAWLS	



**BUILT TOUGH FOR
EXTREME RIDES
& ENDLESS THRILLS!**



S-ELITE 2155SBT

ALLOY J-HOOK HUB	
WEIGHT	257G
SPOKE HOLES	28 36
GAUGE	14
O.L.D	96/100
AXLE	3/8X140 150 160
AXLE MATERIAL	CRMO
P.C.D	38
F.T.F	68



S-ELITE A075SBT

ALLOY J-HOOK HUB	
WEIGHT	440G
SEALED BEARING	2
SPOKE HOLES	36
GAUGE	14
O.L.D	100
AXLE	3/8X155 \ 170
AXLE MATERIAL	CRMO
P.C.D	45
F.T.F	72



S-CLUB A075

ALLOY J-HOOK HUB	
WEIGHT	410G
SPOKE HOLES	36 48
GAUGE	14
O.L.D	100
AXLE	3/8X140
AXLE	M14X165
AXLE MATERIAL	CRMO
P.C.D	45
F.T.F	72



S-ELITE 2156SBT

ALLOY J-HOOK HUB	
WEIGHT	312G
SPOKE HOLES	36
GAUGE	14
O.L.D	110/112/114
AXLE	3/8X180
AXLE MATERIAL	CRMO
P.C.D	43.5
F.T.F	60



S-ELITE A076SBT

ALLOY J-HOOK HUB	
WEIGHT	459G
SEALED BEARING	2
SPOKE HOLES	36
GAUGE	14
O.L.D	110
AXLE	3/8X165 \ 180
AXLE MATERIAL	CRMO
P.C.D	45
F.T.F	58



S-CLUB A076

ALLOY J-HOOK HUB	
WEIGHT	3/8---298G M14---399G
SPOKE HOLES	20 36 48
GAUGE	M14
O.L.D	110
AXLE	3/8X165 175
AXLE	M14X185
AXLE MATERIAL	CRMO
P.C.D	45
F.T.F	58



S-ELITE

A565SBT

ALLOY J-HOOK HUB	214G	
WEIGHT	2	
SEALED BEARING	28 32	
SPOKE HOLES	14	
GAUGE	100	
O.L.D	M9X140 145 150 160	
AXLE	CRMO	
AXLE MATERIAL	62	
P.C.D	70	
F.T.F		



S-ELITE

A566SBT

ALLOY J-HOOK HUB	280G	
WEIGHT	2	
SEALED BEARING	28 32	
SPOKE HOLES	14	
GAUGE	120	
O.L.D	M10X165 170	
AXLE	CRMO	
AXLE MATERIAL	62	
P.C.D	60	
F.T.F		

TRACK BIKE

HUBS

13T

NOVA



S-CLUB A565DSE

ALLOY J-HOOK HUB	
WEIGHT	212G
SPOKE HOLES	32
GAUGE	14
O.L.D	100
AXLE	3/8X140、145、150
AXLE MATERIAL	CRMO
P.C.D	62
F.T.F	70



S-CLUB A566DSE

ALLOY J-HOOK HUB	
WEIGHT	300G
SPOKE HOLES	32
GAUGE	14
O.L.D	120
AXLE	3/8X170 185
AXLE MATERIAL	CRMO
P.C.D	62
F.T.F	60



TRACK BIKE // 2024 HUBS



S-CLUB

301

STEEL J-HOOK HUB

WEIGHT	55L 5/16...150G
	71L 3/8...202G
SPOKE HOLES	16 20 28 36
GAUGE	14
O.L.D	93/100
AXLE	3/8X100 115 130 135 140 145
AXLE	5/16X105 115 120 135 145
AXLE MATERIAL	CRMO
P.C.D	34
F.T.F	60/71



S-CLUB

511

STEEL J-HOOK HUB

WEIGHT	459G
SPOKE HOLES	28 36
GAUGE	14
O.L.D	114
AXLE	3/8X180
AXLE MATERIAL	CRMO
P.C.D	45
F.T.F	54.5
PAWLS	2

CITY BIKE





S-CLUB

431

STEEL J-HOOK HUB

WEIGHT	188G
SPOKE HOLES	28 32 36
GAUGE	14
O.L.D	100
AXLE	9
AXLE MATERIAL	CRMO
P.C.D	38
F.T.F	56/61.5/69



S-CLUB

433

STEEL J-HOOK HUB

WEIGHT	200G
SPOKE HOLES	28 32 36
GAUGE	14
O.L.D	94/100
AXLE	3/8X135 140 145
AXLE MATERIAL	CRMO
P.C.D	38



S-CLUB

432

STEEL J-HOOK HUB

WEIGHT	332G
SPOKE HOLES	28 32 36
GAUGE	14
O.L.D	130/135
AXLE	10
AXLE MATERIAL	CRMO
P.C.D	45
F.T.F	57



S-CLUB

434

STEEL J-HOOK HUB

WEIGHT	332G
SPOKE HOLES	28 32 36
GAUGE	14
O.L.D	126/130
AXLE	3/8X170 、 175 、 180 、 185 、 190
AXLE MATERIAL	CRMO
P.C.D	45
F.T.F	57
OFFSET	6.5



S-CLUB

436/436DT

STEEL J-HOOK HUB

WEIGHT	363G
SPOKE HOLES	16 20 28 36
GAUGE	14
O.L.D	112/114
AXLE	3/8X165 180 190 195 200
AXLE MATERIAL	CRMO
P.C.D	45
F.T.F	57



S-CLUB 751DSE

ALLOY J-HOOK HUB	
WEIGHT	153G
SPOKE HOLES	20 28 32 36
GAUGE	13/14
O.L.D	100
AXLE	9
AXLE MATERIAL	CRMO
P.C.D	38
F.T.F	72



S-CLUB F364TSE-135

ALLOY J-HOOK HUB	
WEIGHT	447G
SPOKE HOLES	24 28 32 36
GAUGE	14
O.L.D	135
AXLE	10X175 180 185
AXLE MATERIAL	CRMO
P.C.D	45
F.T.F	50.8
OFFSET	4.29
PAWLS	2



S-CLUB 752DSE

ALLOY J-HOOK HUB	
WEIGHT	268G
SPOKE HOLES	28 32 36
GAUGE	13/14
O.L.D	130/135
AXLE	10
AXLE MATERIAL	CRMO
P.C.D	45
F.T.F	57





S-CLUB 753DSE

ALLOY J-HOOK HUB	
WEIGHT	196G
SPOKE HOLES	28 32 36
GAUGE	13/14
O.L.D	100
AXLE	3/8X140 145 150
AXLE MATERIAL	M9X140
AXLE MATERIAL	CRMO
P.C.D	38
F.T.F	72



S-CLUB 754DSE

ALLOY J-HOOK HUB	
WEIGHT	301G
SPOKE HOLES	28 32 36
GAUGE	13/14
O.L.D	135
AXLE	3/8X180 185
AXLE MATERIAL	CRMO
P.C.D	45
F.T.F	57



S-CLUB 823A

ALLOY J-HOOK HUB	
WEIGHT	149G
SPOKE HOLES	20 36
GAUGE	14
O.L.D	93/100
AXLE	3/8X135 140 145 150
AXLE MATERIAL	CRMO
P.C.D	34
F.T.F	64



S-CLUB 756DSE

ALLOY J-HOOK HUB	
WEIGHT	332G
SPOKE HOLES	36
GAUGE	14
O.L.D	110
AXLE	3/8X155 175
AXLE MATERIAL	CRMO
P.C.D	45
F.T.F	57

BIKE FOLDING

HUBS



S-ELITE A215SB

ALLOY J-HOOK HUB	
WEIGHT	112G
SEALED BEARING	2
SPOKE HOLES	20 28
GAUGE	14
O.L.D	74
AXLE	9X74
AXLE MATERIAL	CRMO
P.C.D	38
F.T.F	48



S-TEAM A551SB

ALLOY J-HOOK DISC HUB	
WEIGHT	70G
SEALED BEARING	2
SPOKE HOLES	20 24 28
GAUGE	14
O.L.D	74
AXLE	9
AXLE MATERIAL	ALLOY
P.C.D	30
F.T.F	48.4



S-ELITE A011SB-B0

ALLOY J-HOOK HUB	
WEIGHT	100G
SEALED BEARING	2
SPOKE HOLES	12
GAUGE	14
O.L.D	74 82 92
AXLE	9
AXLE MATERIAL	CRMO
P.C.D	30
F.T.F	42.7



S-CLUB A215

ALLOY J-HOOK HUB	
WEIGHT	173G
SEALED BEARING	2
SPOKE HOLES	20 28
GAUGE	14
O.L.D	74
AXLE	3/8X115 120
AXLE MATERIAL	CRMO
P.C.D	38
F.T.F	48



PARTS



**QUICK RELEASE
QUICK ADVENTURE**

- EASILY SWAP YOUR BICYCLE PARTS AND HIT THE ROAD IN NO TIME!

QUICK RELEASE PARTS

MOLD	OLD	PITCH	B+-1	THREAD LENGTH	WITH NUT	SYSTEM
ROAD (TA12)	100	M12XP1.5	120	12		
		M12XP1.5	121.5	13.5		SHIMANO
		M12XP1.5	125	16		SRAM
		M15XP1.5	125	16		SRAM
	142	M12XP1.5	163.5	13.5		SHIMANO
MTB (TA15) (TA12)	100	M14XP1.5	145	16	✓	FOX
		M15XP1.5	150	20		SRAM
	142	M12XP1.5	165	18		SHIMANO
		M12XP1.0	166	20	✓	SYNTACE DTSWISS
		M12XP1.75	167	20		SRAM
		M12XP1.5	170	18	✓	SHIMANO
		M12XP1.5	172	18	✓	SHIMANO
	148	M12XP1.75	174	20		SRAM
		M12XP1.5	178	18	✓	SHIMANO
		M12XP1.75	180	20		SRAM
	FAT BIKE (TA15) (TA12)	150	M15XP1.5	199	12	
197		M12XP1.5	227	18	✓	SHIMANO
		M12XP1.75	229	20		SRAM

STANDARD

QR270

F53 G R58 G



STANDARD

QR274

F52G R 57 G



M9/M10

QR279

F78G R109G



TA

TA12

43G



STANDARD

QR279
F47G R52G



STANDARD

QR249
F40G R45G



STANDARD

QR227
F54G R58G



STANDARD

QR216
F31G R36G



TA

TA15
56G



TA

QR264
F79G R93G



TA

QR269
F64G R76G



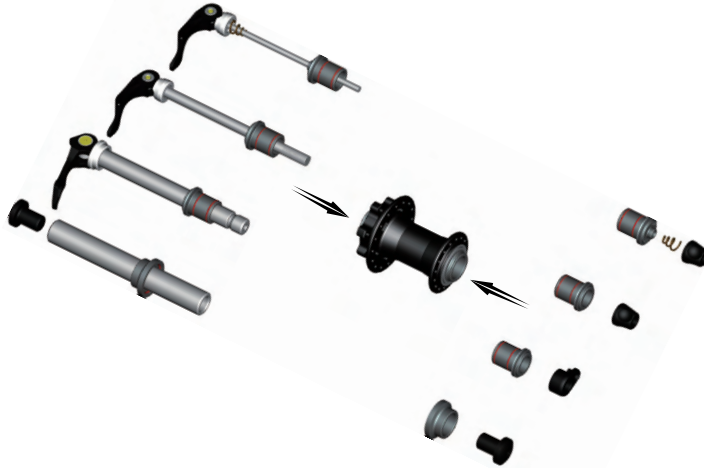
TA

QR278
47G



MULTI AXLE SYSTEM-FRONT**MULTI AXLE SYSTEM QR / 09 / 12 / 15**

FOUR IN ONE SYSTEM, ALLOWING CONVERSION BETWEEN QR, 09, 12 & 15 AXLES FOR FRONT HUBS. MOST VARIABLE SYSTEM FOR WIDE RANGE OF USING EASY INTERCHANGEABLE PARTS.

**MULTI AXLE SYSTEM**

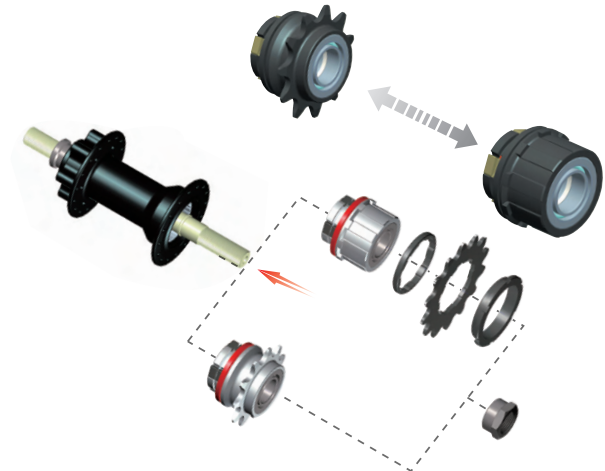
ALLOWING CONVERSION BETWEEN STANDARD QR, 09, 12, 15

**MULTI AXLE SYSTEM-REAR****MULTI AXLE SYSTEM QR / 10 / 12 / X12**

FOUR IN ONE SYSTEM, ALLOWING CONVERSION BETWEEN QR, 10, 12 & X12 AXLES FOR REAR HUBS. MOST VARIABLE SYSTEM FOR WIDE RANGE OF USING EASY INTERCHANGEABLE PARTS.

**2 IN 1 SYSTEM****TWO IN ONE SYSTEM FOR DIRT JUMP**

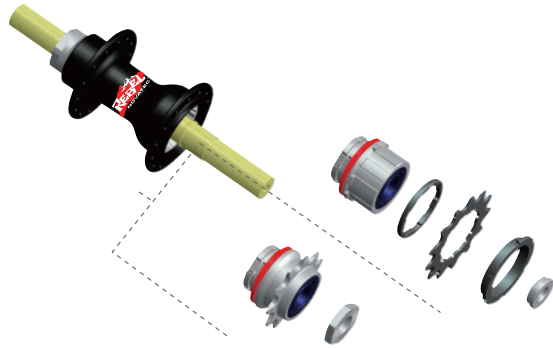
TWO IN ONE SYSTEM ALLOWS FOR EASY INTERCHANGE BETWEEN FREEWHEEL AND DRIVE UNIT



LEFT - RIGHT DRIVE



ONE MODEL TWO SYSTEM FOR BMX
 FLEXIBLE SYSTEM ALLOW YOU TO CHOOSE THE NUMBER OF TEETH EASY TO CHANGE IN BETWEEN CASSETTE & DRIVE UNIT THE SYSTEM IS APPLICABLE FOR ANY REAR BMX 4SB HUB



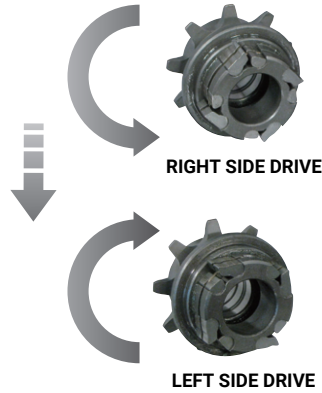
LEFT - RIGHT DRIVE



LEFT - RIGHT DRIVE FOR BMX
 LEFT- RIGHT DRIVE SYSTEM WITH SPECIAL RATCHET RINGS ALLOW YOU TO CHANGE FROM RIGHT SIDE DRIVE TO LEFT SIDE DRIVE.

TW PATENT NO : M376441

EU PATENT NO : NR202011004253.7



COMPONENTS



SPROCKET SLS
 16T, 17T, 18T
 TW PATENT
 NO : M377343



LOCK RING AL



WATER RESISTANT



SEAL



SEALED BEARING



SIDE CAP



SPACER



RATCHET RING
 SCM415 18G



5 PAWLS FOR MTB + SPRING
4 PAWLS FOR MTB + SPRING
3 PAWLS FOR ROAD + SPRING

**YOUR CYCLING COMPANION,
 YOUR HUB PROVIDER.**



TECHNOLOGY



TSE/TA-TSE/TSBT/TA-TSB

2 PAWLS WITH 15T LOOSE BALL/SEALED BEARINGS CASSETTE BODY



SMALL INNER ∅

WIDER INNER ∅



F2-333

3 PAWLS WITH 33T 2 SEALED BEARINGS CASSETTE BODY



MS FREEHUB AND AXLE SET

SHIMANO MICRO SPLINE CASSETTE BODY AND AXLE SET



A327

3 PAWLS WITH 27T 2 SEALED BEARINGS OD12 CASSETTE BODY



B427/B2-427

4 PAWLS WITH 27T 2 SEALED BEARINGS OD15 CASSETTE BODY



LIGHT WEIGHT



E440

4 PAWLS WITH 40T 2 SEALED BEARINGS OD17 CASSETTE BODY





R642

6 PAWLS WITH 42T 2 SEALED BEARINGS OD17 CASSETTE BODY



CAMPAGNOLO EKAR-13S

CAMPAGNOLO EKAR 13S CASSETTE BODY



ROAD A.B.G. ANTI BITE GUARD

A REINFORCED STEEL RIB INTEGRATED INTO ALLOY CASSETTE BODY SPLINES TO MITIGATE DAMAGE FROM DRIVE FORCES

TW PATENT NO. M382208
JP PATENT NO. 3159796
DE PATENT NO. 2020100001830.7
CN PATENT NO. ZL201020115939.X
USA PROCESS NO, 12/702.689



ROAD EASY 3 IN 1 SYSTEM

HUB CONTAINS EVERY PARTS TO INTERCHANGE SHIM/SRAM/CAMPY CONVERSION BETWEEN:

- SHIMANO 8/9/10/11S
- SRAM XDR DRIVER
- CAMPAGNOLO 9/10/11/12S



SHIMANO / SRAM



SRAM XDR DRIVER



CAMPAGNOLO

CASSETTE BODY SYSTEM

PARTS

PART NUMBER	FREEHUB TYPE	HUB MODELS	MATERIALS	SYSTEM	NOTICE
P012-0048	A-327	F172SB-11S	ALLOY	SHIMANO-11S	BLACK
P012-0095				SRAM XDR	
P012-0066	B-427	F482SB-11S	ALLOY	SHIMANO-11S	W/1.5MM WASHER
P012-0042		D792SB-11S			
		D792SB-11S			
P012-0010		F482SB-XDR	STEEL		
P012-0251		D792SB-XDR	ALLOY	SRAM XDR	
		D792SB-C13			
P019-0013	E-440	D902SB-B12-A4A-MS	ALLOY	SHIMANO-12S	W/ALLOY ALEX
P019-0019		D902SB-CL-X12-A4A-MS			
P019-0026		D902SB-B12-S4S-MS	STEEL		W/STEEL ALEX
P012-0088		D902SB-B12-11S	ALLOY	SHIMANO-11S	BLACK,W/1.5MM WASHER
P012-0092		D902SB-B12-S11		SRAM XDR	
P012-0096		D902SB-B12-11S	STEEL	SHIMANO-11S	BLACK,W/1.5MM WASHER
P012-0291		D902SB-B12-S11		SRAM XDR	
P012-0070		B2-427	F482SB-SL-11S	ALLOY	SHIMANO-11S
	FS522SB-11S				
	D142SB-11S				

PART NUMBER	FREEHUB TYPE	HUB MODELS	MATERIALS	SYSTEM	NOTICE
P019-0011	F2-333	D462SB-SL-X12-MS/D162SB	STEEL	SHIMANO-12S	W/STELL ALEX
P019-0017		D462SB-SL-B12-MS/D162SB			
P012-0014		D462SB-11S/D162SB-11S		SHIMANO-11S	W/1.5MM WASHER
P012-0028		D462SB-S11/S162SB-S11		SRAM XD	6 PAWLS ENGAGEMENT
P012-0058	R-642	XD642SB-ABG	ALLOY	SHIMANO	6 PAWLS ENGAGEMENT
P012-0094		XD642SB-S11		SRAM XD	
P041-0036	TSE	D762TSE	STEEL	SHIMANO	
		F362TSE			
		F364TSE			
		D144TSE			
P041-0039		D762TSE-11S		SHIMANO-11S	
		F362TSE-11S			
		F364TSE-11S			
		D144TSE-11S			
P041-0044	TA-TSE	D952TSE-B12	STEEL	SHIMANO-10S	
P041-0037		D952TSE-B12-11S		SHIMANO-11S	
P041-0002	TSBT	D762TSBT	STEEL	SHIMANO-10S	
		F362TSBT			
P041-0043		D762TSBT-11S		SHIMANO-11S	
		F362TSBT-11S			
P041-0041	TA-TSB	D952TSB-B12	STEEL	SHIMANO-10S	
P041-0042		D982TSB-X12-11S		SHIMANO-11S	

GLOBAL



AUSTRALIA WHEELSETS/ HUBS

BICYCLE PARTS WHOLESALE

ADDRESS : 76-80 Micro Circuit, Dandenong,
Vic 3175 Australia

TEL : +61-3-9702 9044

FAX : +61-3-9702 9144

E-MAIL : sales@bicyclepartswholesale.com.au

WEB : www.bicyclepartswholesale.com.au

AUSTRIA (EU) WHEELSETS/ HUBS

MESSINGSCHLAGER GmbH & Co. KG

ADDRESS : Hassbergstrasse 45, D 96148 Baunach,
Germany

TEL : +49-9544 944 445

FAX : +49-9544 944 440

E-MAIL : info@messingschlagler.com

WEB : www.novatec.messingschlagler.com

ARGENTINA WHEELSETS

FERRARIS SRL

ADDRESS : Piedras 1321/23 (C1140ABC), Buenos Aires,
Argentina

TEL : 54-11-4307-6723

FAX : 54-11-4307-6013

E-MAIL : ventas@ferrarisrl.net

BELGIUM HUBS

Dewo-Europe NV

ADDRESS : Steenstraat 16, 1570 Vollezele, Belgium

TEL : +32 - 54 56 79 81

FAX : +32 - 54 56 70 99

E-MAIL : info@dewo-europe.com

WEB : www.dewo-europe.com



CHILE HUBS/ WHEELSETS

Outside Sports SpA

ADDRESS : Bandera 84, of 309 Santiago CL13100 Chile

TEL : +56931023220

EMAIL : contacto@outsidesports.cl

WEB : www.outsidesports.cl



CHINA WHEELSETS/ HUBS

JOY INDUSTRIAL(SHEN ZHEN) CO., LTD.

ADDRESS : Chuang Ye Road 12, The Third Industrial Zone,
Shui Tian Shi Yan Town, Bao An ShenZhen,
China (518108)

TEL : +86-755-2968 4800

FAX : +86-7552968 4727

E-MAIL : szsales@joy-tech.com.tw

CZECH REP.(EU) HUBS

DEMA Senica,a.s.

ADDRESS : Dlhá 248 905 01 Senica, Slovakia

TEL : +421-34-69 45 226

E-MAIL : sport@dema.bike

WEB : www.dema.bike

**GERMANY (EU) WHEELSETS/ HUBS**

MESSINGSCHLAGER GmbH & Co. KG
 ADDRESS : Hassbergstrasse 45, D 96148 Baunach,
 Germany
 TEL : +49-9544 944 445
 FAX : +49-9544 944 440
 E-MAIL : info@messingschlagel.com
 WEB : www.novatec.messingschlagel.com

**INDIA HUBS/WHEELSETS**

WE SNAP INDIA
 ADDRESS : 816/817, 8th floor, Gera's Imperium Alpha,
 behind Eon Free Zone Road, Kharadi, Pune,
 Maharashtra 411014
 TEL : +91 9769175859
 EMAIL : admin@wesnapindia.in
 WEB : wesnapindia.in

INDONESIA WHEELSETS

PT BINTANG TIMUR
 ADDRESS : JL K.H.M MANSYUR NO.223 JEMBATAN LIMA,
 TAMBORA, JAKARTA BARAT 11250, INDONESIA
 TEL : +6221-6300555
 E-MAIL : sales@bintang-timur.com

ISAREL WHEELSETS

MOTOFAN SAHAR 2002 LTD.
 ADDRESS : 17 Arie Regev ST. NATANYA 4250209
 ISRAEL
 TEL : +972-9-885-6602
 WEB : www.moto-ofan.co.il

JAPAN WHEELSETS

YOSHIKAWA MFG. CO., LTD.
 ADDRESS : 4-14-28 Gamo, Koshigaya, Saitama,
 343-0838, Japan
 TEL : +81-48-990-1735
 FAX : +81-48-990-1736
 E-MAIL : info@ysb-brake.co.jp
 WEB : www.actionsports.co.jp

MACEDONIA HUBS

CYCLO MANIA INT.doo
 ADDRESS : Stjepana Mitrova Ljubiše 12,
 21000 Novi Sad, Vojvodina, Serbia
 TEL : +381-63-8738255
 E-MAIL : cyclomania.int@gmail.com
 WEB : www.cyclomania.rs

MALAYSIA WHEELSETS

HUAN SCHEN Sdn. Bhd.
 ADDRESS : No.12, Jalan TIAJ 2/5, Taman Industri Alam Jaya,
 Bukit Chera, 42300 Selangor, Malaysia
 TEL : +603 6038 6788
 FAX : +603 6038 9788
 E-MAIL : huanschen@gmail.com or info@huanschen.com.my
 WEB : www.huanschen.com.my

MONTENEGRO HUBS

CYCLO MANIA INT.doo
 ADDRESS : Stjepana Mitrova Ljubiše 12, 21000 Novi Sad,
 Vojvodina, Serbia
 TEL : +381-63-8738255
 E-MAIL : cyclomania.int@gmail.com
 WEB : www.cyclomania.rs

**PERU WHEEL SETS**

DISARVA ASOCIADO S.R.L.
 ADDRESS : Jr. Luna Pizarro 120, La Victoria, Lima, Perú
 TEL : +511 332 0533 Anexo 118
 E-MAIL : ventas@disarva.com
 WEB : www.disarva.com

POLAND (EU) WHEELSETS/ HUBS

SPEEDER
 ADDRESS : Ul. Polna 5, 62-095 Murowana Goslina, Poland
 TEL : +48 61 670-4047
 E-MAIL : biuro@speeder.com.pl
 WEB : www.speeder.com.pl

ROMANIA (EU) HUBS

DHS BIKE PARTS s.r.l.
 ADDRESS : Str.Santuhalm 35A, 330004 Deva City, Romania
 TEL : +40-728 285 935
 E-MAIL : comenzioline@dhsbikeparts.ro
 WEB : www.dhsbikeparts.ro

RUSSIA HUBS

VELOOLIMP
 ADDRESS : Elektrodnyaya Ul., D.2, Str12-14, Moscow,
 111524, Russia
 TEL/FAX : +7-495-788 1952
 E-MAIL : veloolimp@gmail.com/shop@veloolimp.com
 WEB : www.veloolimp.com

SERBIA HUBS

CYCLO MANIA INT. doo
 ADDRESS : Stjepana Mitrova Ljubiše 12, 21000 Novi Sad,
 Vojvodina, Serbia
 TEL : +381-63-8738255
 E-MAIL : cyclomania.int@gmail.com
 WEB : www.cyclomania.rs

SINGAPORE WHEELSETS/ HUBS

THE PM CYCLES
 ADDRESS : Changi Logistic Center,
 19 Loyang Way #03-03,
 Singapore 508724
 TEL : +65 6962 6982 /
 +65 8904 7021
 E-MAIL : sales@thepmcycles.com
 WEB : www.ThePmCycles.com

**SLOVAKIA(EU) HUBS**

DEMA Senica,a.s.
 ADDRESS : Dlhá 248 905 01 Senica, Slovakia
 TEL : +421-34-69 45 226
 E-MAIL : sport@dema.bike
 WEB : www.dema.bike

SOUTH KOREA WHEELSETS/ HUBS

SBI Sports
 Address : B1, 668, Gaepo-ro, Gangnam-gu,
 Seoul, Republic of Korea
 Tel : +82-02-2088-5580
 Fax : +82-070-8224-5580
 WEB : www.sbisports.co.kr

UKRAINE HUBS

SPORTSYSTEMS
 ADDRESS : Kiev Region, Pershogo Travnja str.,
 49. Novi Petrivci 07354,
 Vyshgorod District, Ukraine
 TEL : +380-44-585-7035
 FAX : +380-44-585 7036
 E-MAIL : vtikhoryk@sportsys.com.ua

UNITED KINGDOM HUBS & PARTS

THORN CYCLES LTD
 ADDRESS : 91-93 ST JOHN STREET, TA6 5HX BRIDGWATER,
 SOMERSET, GB
 TEL : 01278-441500
 E-MAIL : SALES@SJSCYCLES.COM
 WEB : WWW.SJSCYCLES.CO.UK

**URUGUAY WHEELSETS/HUBS**

Alkeus S.A.
 ADDRESS : Rondeau 1847, Uruguay
 TEL : +598 2924 9695
 E-MAIL : contacto@scott-montevideo.com.uy
 WEB : www.scott-montevideo.com.uy

**USA WHEELSETS/ HUBS**

BIKE FETTISH
 ADDRESS : 41083 Sandalwood Cir. Unit K Murrieta, CA 92562
 TEL : +1 (951) 817-7741
 E-MAIL : sales@bikefettish.com
 WEB : www.bikefettish.com

**VENEZUELA HUB/WHEELSET**

BTW VENEZUELA,C.A.
 ADDRESS : AV. LIBERTADOR CRUCE CON CALLE BOLIVAR,
 VALLE DE LA PASCUA, ESTADO GUARICO,
 VENEZUELA
 TEL : +58-4128022258
 E-MAIL : btwvenezuela2021@gmail.com

PRELUD





MAXIME PEYTHIEU (COVER)
THOMAS GENON P01 P02
CTM RACING TEAM MEDIA P13 P21 P47 P48
MAX FREDRIKSSON P26
HRINKOW ADVARICS CYCLEANG TEAM P05 P08
CARLO GAMBIRASIO P31 P34 P35
ADOBESTOCK_294919086 P35
TOMAS LEMOINE PHOTO BY TREVORLYDEN P25
SLAVIK HANNES P27 CREDIT BY MARKUS SLAVIK

AMERICA

NOVATEC WHEELS US, INC.

1164 OLD 441 N. CLAYTON,
GA. 30525

U.S.A.

CUSTOMERSERVICE@NOVATECUSA.NET

T: +1 706 408 0139

EUROPE

NOVATEC EU S.R.O

SADOVA 2719/3C

905 01 SENICA

SLOVAKIA

INFO@NOVATECWHEELS.EU

T: +421 948 729 699

ASIA

NOVATEC TAIWAN(HQ)

NO.508, SEC. 4,

CHANGPING ROAD, DAYA DIST.,

TAICHUNG CITY, TAIWAN 42850

SERVICE@NOVATECWHEELS.COM

T: +886 4 2568 7150

NOVATECWHEELS SHENZHEN

NO.12 CHUANGYE ROAD

THE 3RD INDUSTRIAL ZONE

SHUITIAN VILLAGE, SHIYA TOWN

BAOAN SHENZHEN, CHINA 518108

SZSALES@JOY-TECH.COM.TW

T: +86 755 2968 4588

US-



EU-



TW-



WWW.NOVATECWHEELS.COM

CH-WECHAT-

